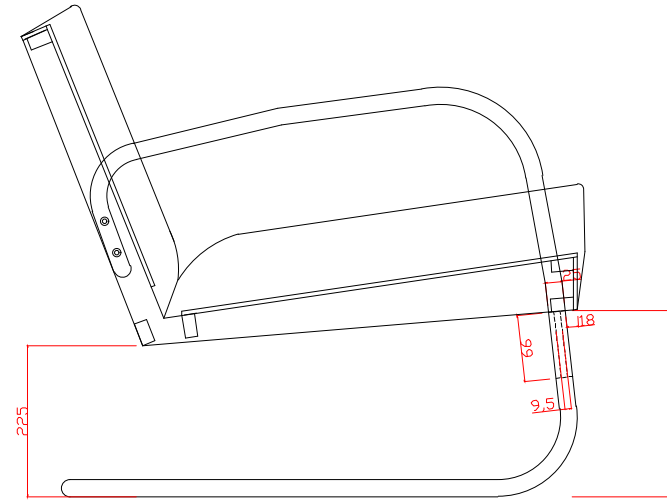
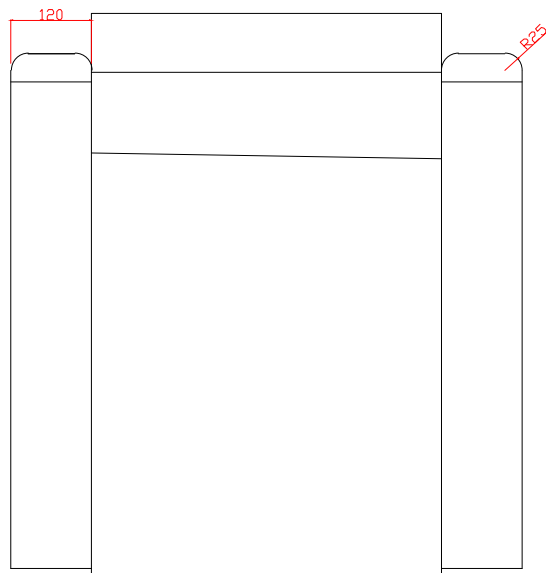


Front Elevation of Chair



Side Elevation of Chair



Plan of Chair



Drawn By: <b>Robbie McEntegart</b> C18439826	Project Name: <b>Capstone Assignment</b>	Scale: <b>1:10</b>	Measurement: <b>Millimetres (mm)</b>	Client: <b>Aidan Ryan</b>	Drawing Title: <b>Tank 400 Chair</b>	Sheet 1 of 3
--	---	-----------------------	---	------------------------------	---	--------------

